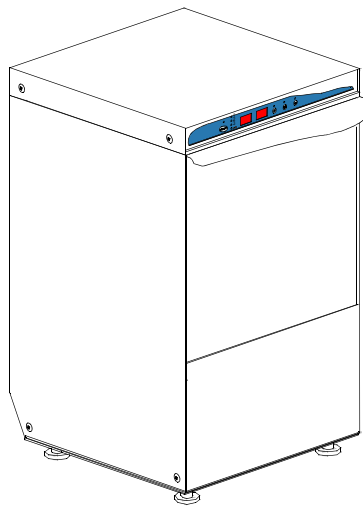


DISHWASHER

ELECTRONICAL SWITCHES
LOWER AND UPPER WASHING
INSULATED MODEL

Accessories
BREAK TANK
BOOSTER PUMP
DVGW
COLD RINSE
WATER SOFTNER
DETERGENT DISPENSER
DRAIN PUMP

Spare Parts Manual



Parti di ricambio

Spare Parts

Catalogues pièces

Plezas de recambis

Ersatzteile

INFORMAZIONI GENERALI

Questo catalogo serve per richiedere con esattezza le parti di ricambio

Nelle ordinazioni indicare:

1) il numero dei codici dei particolari seguito dalla descrizione e la quantità desiderata;

2) Il codice alfa-numeric presente nella seconda colonna della tabella ;

I disegni delle parti di ricambio sono solo indicativi e non rappresentano il pezzo in oggetto.

I dati contenuti in questo catalogo sono indicativi e possono essere soggetti a modifiche senza impegno di preavviso.

ALLGEMEINE INFORMATIONEN

Dieser Ersatzteilkatalog dient zur genauen Angabe der Teile bei Ersatzteilbestellungen.

Bei Ersatzbestellung ist folgendes anzugeben:

1) Die Bestellnummer der Ersatzteile mit der entsprechenden Beschreibung genaue Menge;

2) Der alpha-numerischer Code auf der zweiten Reihe in dein Spult;

Die Zeichnungen der Ersatzteile sind nur als Hinweise gedacht und stellen nicht das betroffene Teil dar.

Bei den im Katalog angeführten Daten handelt es sich um Anhaltsdaten, die jederzeit, ohne Vorankündigung, geändert werden können.

GENERAL INFORMATION

The present spare parts order exactly the right spare parts

When ordering specify:

1) the part's code number followed by its description and quantity needed;

2) The alpha-numeric code is in the second column in the chart;

Spare parts drawings are general and do not represent the part.

The contents of this catalogue are general and can undergo changes without prior notice.

INFORMACIONES GENERALES

El presente catálogo sirve para pedir con exactitud las partes de repuesto

En los pedidos se debe indicar:

1) el número de código de la parte y a continuación la descripción cantidad deseada;

2) El código alfanumerico presente en la segnada columna de la tabla;

Los diseños de las partes de recambio son solo indicativos y no representan la pieza en cuestión.

Los datos contenidos en el presente catálogo son indicativos y pueden modificarse sin aviso previo.

INFORMATIONS GENERALES

Ce catalogue permet de commander correctement les pièces détachées

Les commandes doivent être passées en indiquant:

1) le numero de code des pièces détachées suivi de leur description quantité désirée;

2) le code alphanumérique dans la deuxième colonne du tableau;

Les plans des pièces détachées sont fournis seulement à titre indicatif et ne représentent pas la pièce concernée.

Les données de ce catalogue sont citées seulement à titre indicatif et peuvent être l'objet de modifications sans avis préalable.

ESEMPIO EXAMPLE EXEMPLE BEISPIEL

Rif.	Codici
MODULE:Particolari	
10505	540903
10510	540908
10515	15065/A
10520	540086
10525	540028



Note

Tutte le informazioni riportate si intendono aggiornate alla data di stampa. Il Produttore si riserva il diritto di apportare qualsiasi modifica richiesta dallo sviluppo evolutivo dei suddetti prodotti.

Per la sicurezza ,la garanzia, l'affidabilità ed il valore della lavastoviglie usa solo ricambi originali. **Per alcuni codici, sono richieste quantità minime d'ordine.**



Attenzione

Questo libretto è parte integrante della lavastoviglie e, in caso di passaggio di proprietà, deve essere consegnato al nuovo acquirente.



Remarque

Toutes les informations contenues dans ce manuel s'entendent mises à jour à la date d'impression. En raison du développement constant de ses produits, usine se réserve le droit d'apporter à tout instant les modifications qu'elle jugera utiles.

Pour la sécurité, la garantie, la fiabilité et la valeur de votre lavevaisselles, en cas de transfert de propriété, doit toujours être remis au nouveau propriétaire. **Pour quelque référence on demande un minimum de pièces par commande**



Attention

Ce manuel doit être considéré comme partie intégrante de la lavevaisselles, en cas de transfert de propriété, doit toujours être remis au nouveau propriétaire.



Note

The information contained herein is valid at the time of going to print. The Company reserves the right to make any changes required by the future development of the above-mentioned products.

For your safety, as well as to preserve the warranty reliability and worth of your dishwashers, use original spare parts only. **For some codes a minimum quantity for order is required.**



Warning

This manual forms an integral part of the dishwashers and - if a transfer of title occurs - must always be handed over to the new owner.



Hinweis

Die Der Hersteller behält sich das Recht vor, jegliche, durch eine Weiterentwicklung der genannten Produkte bedingte Änderungen vornehmen zu können.

Verwenden Sie für Ihre Sicherheit, die Garantie, die Zuverlässigkeit und den Wert Ihrer machine originale Ersatzteile. **Für bestimmte Code nummer werden mindesten bestellungen verlangt.**



Achtung

Diese Betriebsanleitung ist Bestandteile des machine und muss bei seinem Weiterverkauf dem neuen Besitzer ausgehändigt werden.


Parti di ricambio

Spare Parts

Catalogues pièces

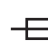
Plezas de recambis

Ersatzteile



Code DW 999XXXXXX
 Model DESCRIPTION
 S/N DW A 1015770 Type


400V 3N 50HZ 8A 500W
 3500W

IPX3  16A


Pressione Dinamica alimentazione idrica 200-500 kPa
 Pression dynamique arrivèe d'eau
 Dynamic pressure water supply
 Dynamischer Druck asserreinlauf

Pressione dinamica vapore saturo
 Pression dynamique vapeur satueèe
 Dymanischer Druck gesattigter Dampf
 Pression Dinamica Vapor Saturado

CL/Part





TECHICAL SPECIFICATION

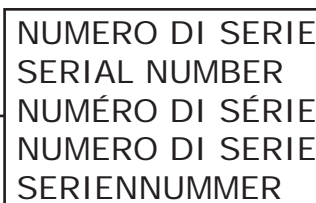
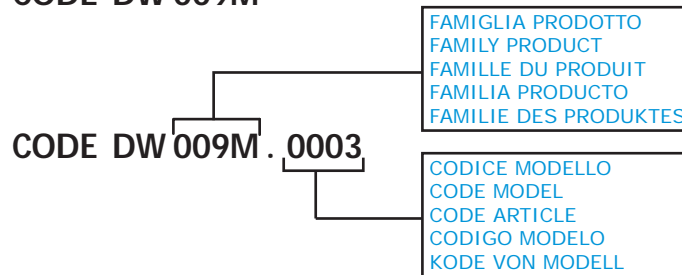
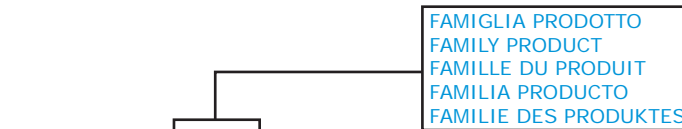
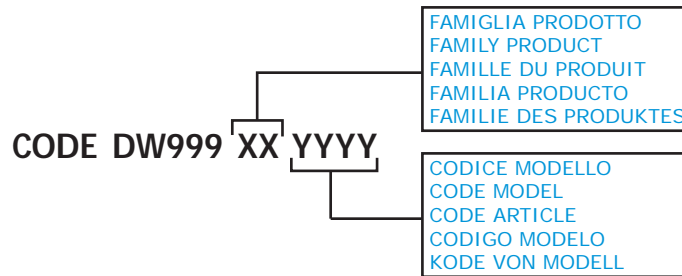


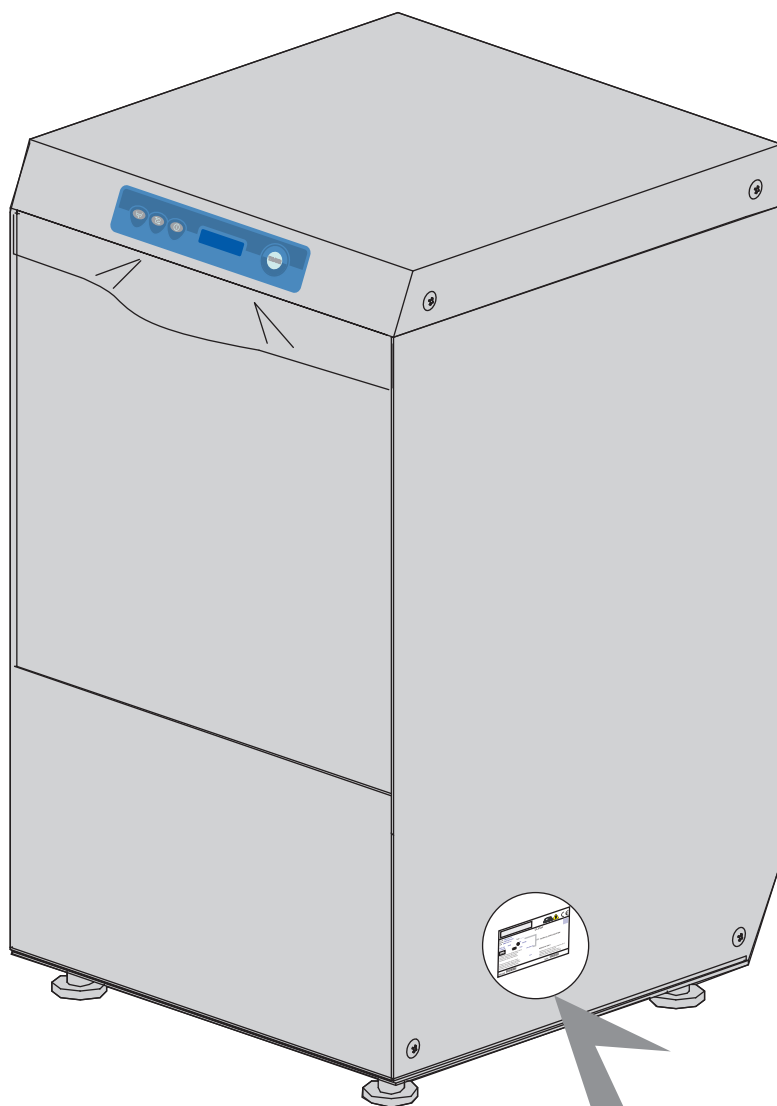
MADE IN ITALY

Temperatura massima acqua in ingresso 60°C
 Temperature max eau a l'entre
 Maximale Temperatur Wasseranschlu
 Maximum Water temperature in-feeding

Model 

S/N 





**MATRICOLA
SERIAL NUMBER
NUMERO DE DERIE**

1. Spare parts

General body parts.....	9
Lockup system	11
Electric control	13
Electric control components.....	15
Solenoid valve group	17
Solenoid valve group	19
Break Tank	21
Booster pump.....	23
DVGW valve	25
Water softner group.....	27
Rinse aid dispenser group.....	29
Rinse aid dispenser group.....	31
Boiler group	33
3 ways connection	35
3 ways connection	37
Wash pump	39

Dosing detergent group..... 41

Drain pump group..... 43

Pressure switch group with air trap ... 45

Turret group with rotating arms (plastic - rinse)47

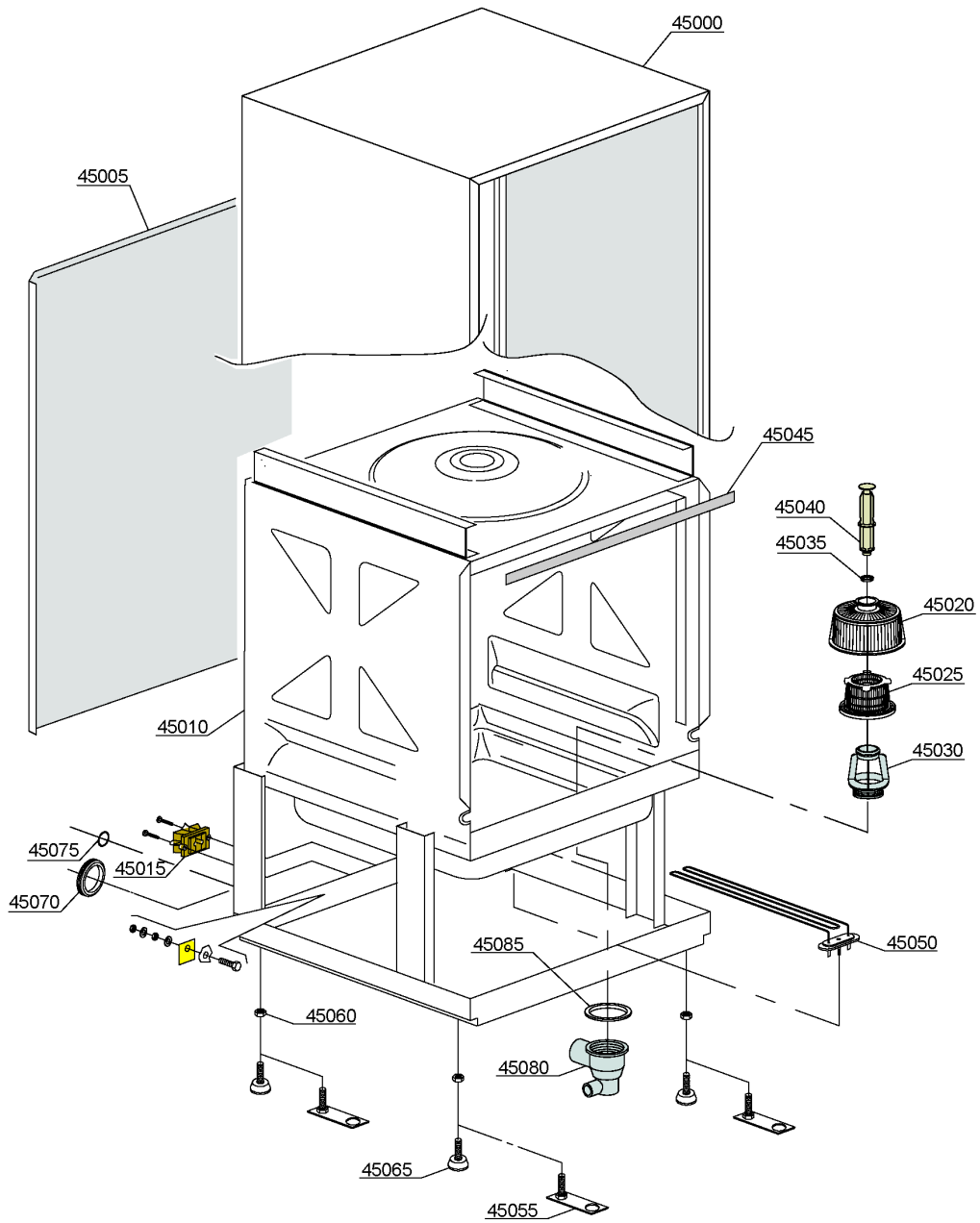
1.1 Voltage codes

Volt	Voltage code
A	3/N/PE~380-400V 50-60Hz
D	3/PE~200-210V 50-60Hz
F	2/PE~220-240V 50-60Hz
G	3/N/PE~415V 50-60Hz
H	3/PE~220-230V 50-60Hz
K	3/PE~380-400V 50-60Hz
L	3/PE~415V 50-60Hz
M	3/PE~440V 60Hz
P	1/N/PE~220-230V 50-60Hz
R	2/PE~220-240V 50-60Hz
U	1/N/PE~240V 50-60Hz
V	3/PE~240V 50-60Hz
W	1/N/PE~100-110V 50-60Hz

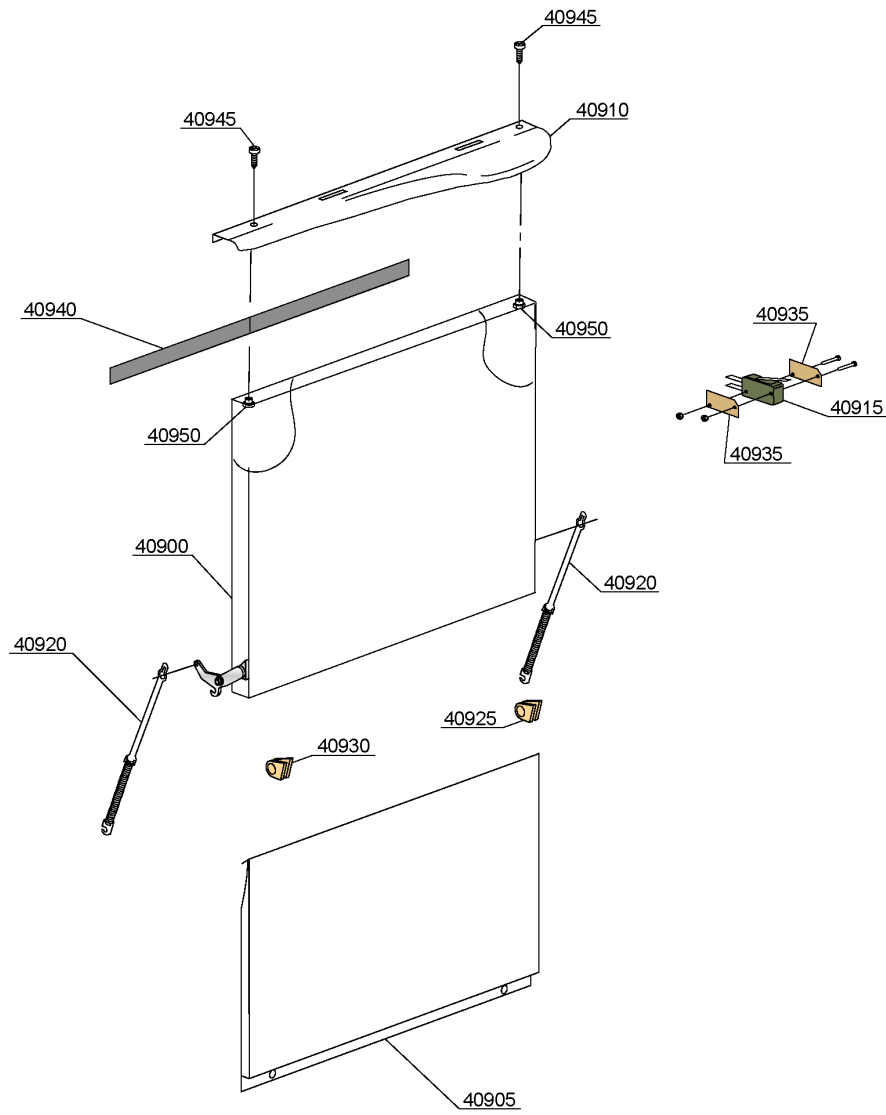
1.2 Product codes

Product code	Full name
Model codes	
e	ELECTRONICAL SWITCHES
uw	LOWER AND UPPER WASHING
i	INSULATED MODEL
Type codes	
122EK	122EK
Accessory codes	
bt	BREAK TANK
bp	BOOSTER PUMP
dvgw	DVGW
cr	COLD RINSE
ws	WATER SOFTNER
dd	DETERGENT DISPENSER
dp	DRAIN PUMP

01_039xe



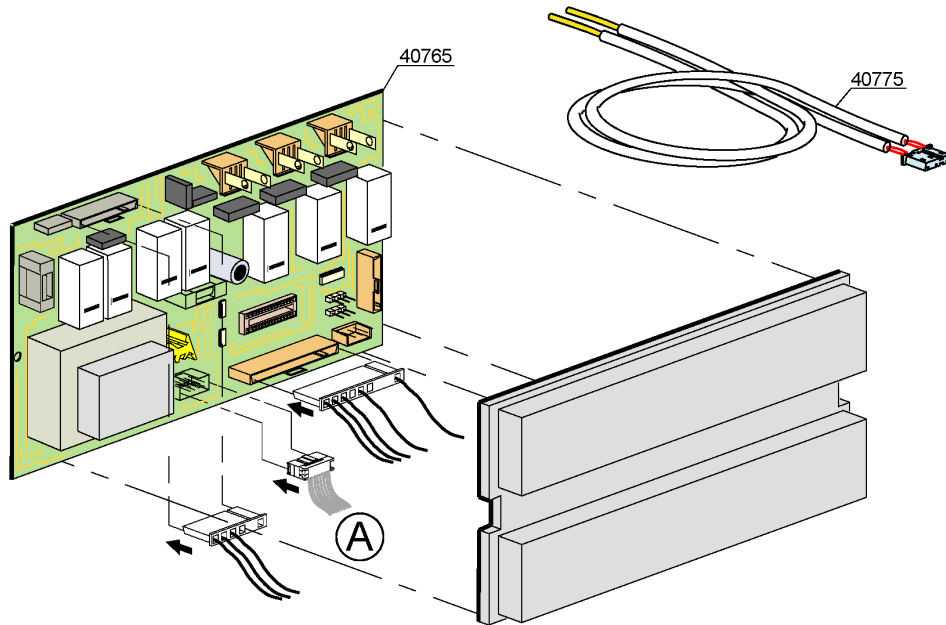
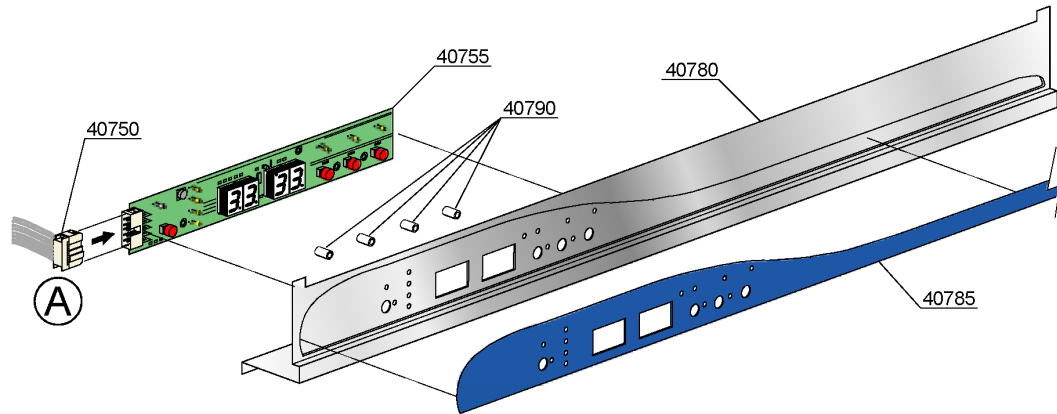
Model	All								
Table	SPC400135400136 Page 8 General body parts								
Pos.	Spare Part	Alias Code	Repl. by	S	Info	Kit	Techn. Bulletin	Description	Notes
45000	000000	570004							ELECTRONICAL SWITCHES,INSULATED MODEL
45005	000000	570006							ELECTRONICAL SWITCHES,INSULATED MODEL
45010	000000	570000							ELECTRONICAL SWITCHES,INSULATED MODEL
45010	000000	570001							WATER SOFTNER - ELECTRONICAL SWITCHES,INSULATED MODEL
45015	000000	15065/A							ELECTRONICAL SWITCHES,INSULATED MODEL
45020	0L3526	500616						SUCTION FILTER	ELECTRONICAL SWITCHES,INSULATED MODEL
45025	000000	500600							ELECTRONICAL SWITCHES,INSULATED MODEL
45030	000000	500607							ELECTRONICAL SWITCHES,INSULATED MODEL
45035	0KK236	13021						PUMP SUCTION PIPE	ELECTRONICAL SWITCHES,INSULATED MODEL
45040	0K2747	500618						WORM GEAR	ELECTRONICAL SWITCHES,INSULATED MODEL
45045	0L3483	560021						DOOR GASKET; BY METER	ELECTRONICAL SWITCHES,INSULATED MODEL
45050	0L3669	150047						HEATING ELEMENT;W/GASKET 230V 2,7/2,94KW	ELECTRONICAL SWITCHES,INSULATED MODEL
45055	000000	15176							ELECTRONICAL SWITCHES,INSULATED MODEL
45060	000000	11711							ELECTRONICAL SWITCHES,INSULATED MODEL
45065	0G3717	10786						MODIFICATION KIT; FOR STARLINE INDUCTION	ELECTRONICAL SWITCHES,INSULATED MODEL
45070	000000	13317							ELECTRONICAL SWITCHES,INSULATED MODEL
45075	000000	13323							ELECTRONICAL SWITCHES,INSULATED MODEL
45080	000000	500606							ELECTRONICAL SWITCHES,INSULATED MODEL
45085	000000	80208							ELECTRONICAL SWITCHES,INSULATED MODEL



02_128_e

Model All
 Table SPC400135400136 Page 10 Lockup system

Pos.	Spare Part	Alias Code	Repl. by	S	Info	Kit	Techn. Bulletin	Description	Notes
40900	000000	570002							
40905	0L3581	570005			D			LOWER DOOR; 600/05	
40910	000000	560965							
40910	000000	560965/N							
40915	0KZ582	10704			D			BAR	
40920	0L3525	570200		S	D			DOOR SPRING	
40925	000000	560006							
40930	000000	560007							
40935	0KS322	10770						WATER FILTER	
40940	0L3483	560021						DOOR GASKET; BY METER	
40945	0U0541	11220						MOTOR ASSY COMPL.	
40950	000000	11226							



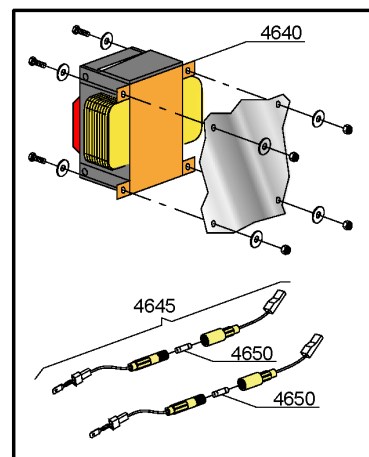
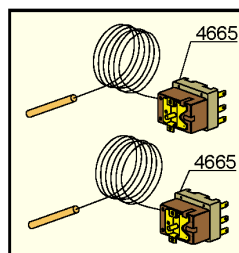
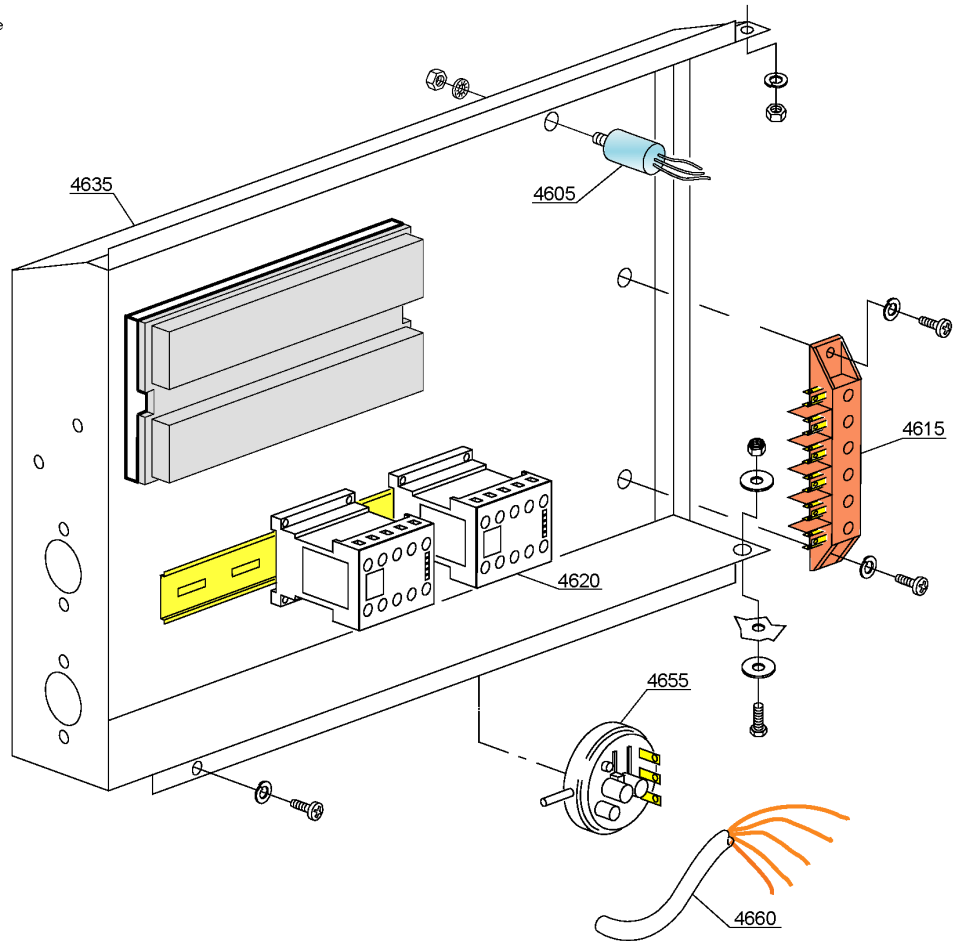
04_030te

Model All

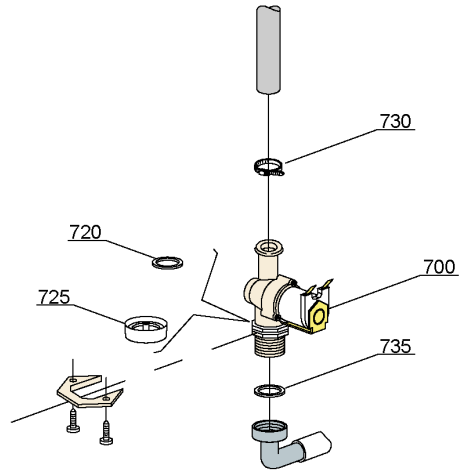
Table SPC400135400136 Page 12 Electric control

Pos.	Spare Part	Alias Code	Repl. by	S	Info	Kit	Techn. Bulletin	Description	Notes
40750	0L3044	50652						WIRING HARNESS	ELECTRONICAL SWITCHES,INSULATED MODEL
40755	0PRF85	50602						MEMBRANE SWITCHBOARD; ELITE-2010	ELECTRONICAL SWITCHES,INSULATED MODEL
40765	0PRF86	50603						MOTHERBOARD; ELITE 2010 UP TO MATR. 4361	ELECTRONICAL SWITCHES,INSULATED MODEL
40775	000000	50562							ELECTRONICAL SWITCHES,INSULATED MODEL
40780	000000	560967							ELECTRONICAL SWITCHES,INSULATED MODEL
40785	0L4409	560968			D			ADHESIVE MEMBRANE	ELECTRONICAL SWITCHES,INSULATED MODEL
40790	000000	50561							ELECTRONICAL SWITCHES,INSULATED MODEL

04_038_e

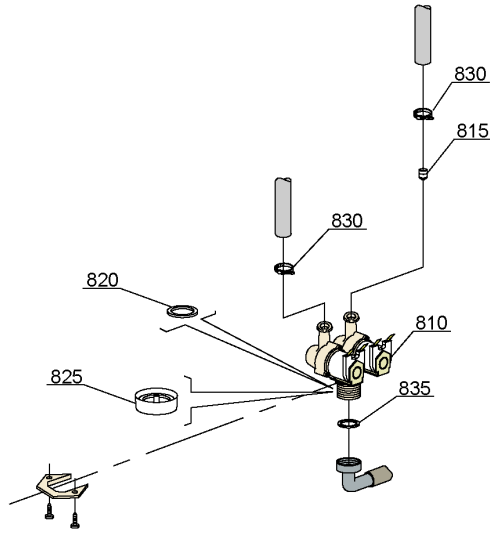


Model		All							
Table		SPC400135400136		Page	14	Electric control components			
Pos.	Spare Part	Alias Code	Repl. by	S	Info	Kit	Techn. Bulletin	Description	Notes
4605	000000	15146							ELECTRONICAL SWITCHES,INSULATED MODEL
4605	000000	15149							ELECTRONICAL SWITCHES,INSULATED MODEL
4605	000000	15187							ELECTRONICAL SWITCHES,INSULATED MODEL
4615	000000	500551							ELECTRONICAL SWITCHES,INSULATED MODEL
4620	000000	10300052							ELECTRONICAL SWITCHES,INSULATED MODEL
4620	000000	15086/B							ELECTRONICAL SWITCHES,INSULATED MODEL
4620	000000	15086/T							ELECTRONICAL SWITCHES,INSULATED MODEL
4620	0R0092	15086						GAS SPRING	ELECTRONICAL SWITCHES,INSULATED MODEL
4635	000000	570003							ELECTRONICAL SWITCHES,INSULATED MODEL
4640	000000	15381							ELECTRONICAL SWITCHES,INSULATED MODEL
4645	0L3637	15147						FUSE CARRIER	ELECTRONICAL SWITCHES,INSULATED MODEL
4650	0L3639	15163						FUSE; 1A	ELECTRONICAL SWITCHES,INSULATED MODEL
4655	000000	10706/A							ELECTRONICAL SWITCHES,INSULATED MODEL
4660	000000	15118							ELECTRONICAL SWITCHES,INSULATED MODEL
4665	000000								



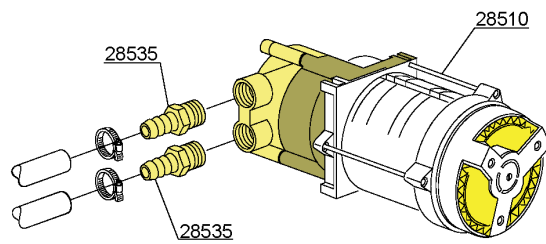
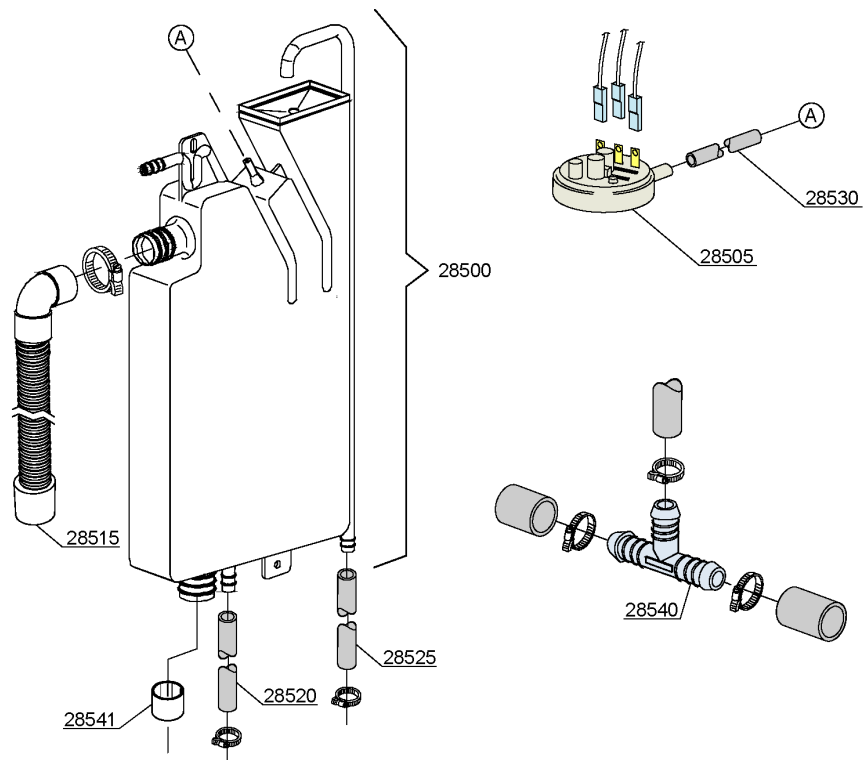
05_002_e

Model		All							
Table		SPC400135400136 Page 16 Solenoid valve group							
Pos.	Spare Part	Alias Code	Repl. by	S	Info	Kit	Techn. Bulletin	Description	Notes
0700	0L3335	10703						SOLENOID VALVE; 230V; 1-WAY	ELECTRONICAL SWITCHES,INSULATED MODEL
0720	000000	NC							ELECTRONICAL SWITCHES,INSULATED MODEL
0725	000000								
0730	000000	11807							ELECTRONICAL SWITCHES,INSULATED MODEL
0735	000000	13307							ELECTRONICAL SWITCHES,INSULATED MODEL



05_003_€

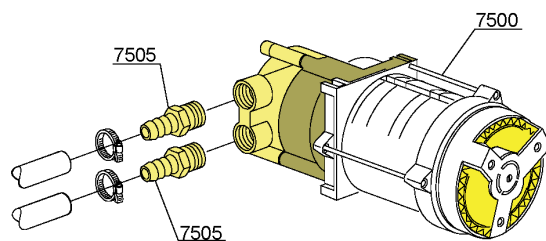
Pos.	Spare Part	Alias Code	Repl. by	S	Info	Kit	Techn. Bulletin	Description	Notes
0810	0L3028	15098						SOLENOID VALVE	COLD RINSE,WATER SOFTNER - ELECTRONICAL SWITCHES,INSULATED MODEL
0815	000000	15115							COLD RINSE,WATER SOFTNER - ELECTRONICAL SWITCHES,INSULATED MODEL
0820	000000	NC							COLD RINSE,WATER SOFTNER - ELECTRONICAL SWITCHES,INSULATED MODEL
0825	000000								
0830	000000	11807							ELECTRONICAL SWITCHES,INSULATED MODEL
0835	000000	13307							ELECTRONICAL SWITCHES,INSULATED MODEL



06_004pe

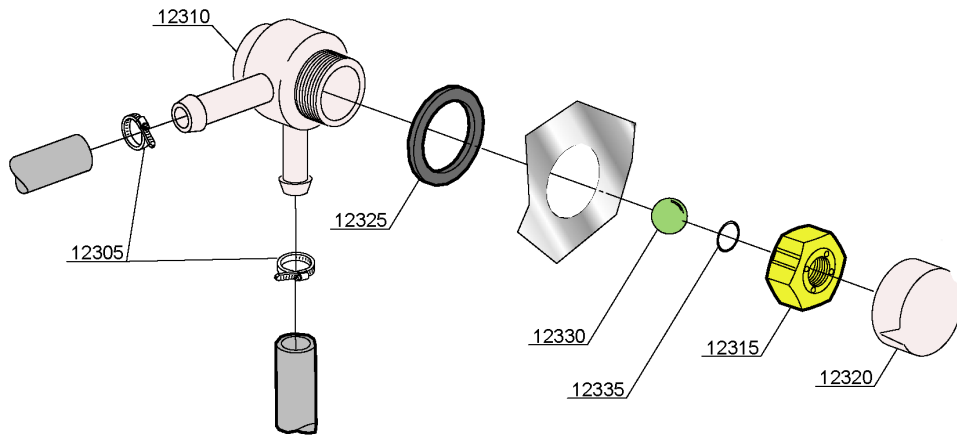
Pos.	Spare Part	Alias Code	Repl. by	S	Info	Kit	Techn. Bulletin	Description	Notes
28500	0L3328	15735			D			AIR-BREAK; 2,4LT.	BREAK TANK - ELECTRONICAL SWITCHES,INSULATED MODEL
28505	000000	10706/A							BREAK TANK - ELECTRONICAL SWITCHES,INSULATED MODEL
28510	000000	15100/D							BREAK TANK - ELECTRONICAL SWITCHES,INSULATED MODEL
28515	0R0004	15722						DOOR	BREAK TANK - ELECTRONICAL SWITCHES,INSULATED MODEL
28520	000000	2907350							BREAK TANK - ELECTRONICAL SWITCHES,INSULATED MODEL
28525	000000	2907352							BREAK TANK - ELECTRONICAL SWITCHES,INSULATED MODEL
28530	0L3327	14508			D			HOSE; 4,5X9MM; 1PCS=2METER	BREAK TANK - ELECTRONICAL SWITCHES,INSULATED MODEL
28535	0PRG27	10221311						PIPE FITTING; DIA.12 3/8"	BREAK TANK - ELECTRONICAL SWITCHES,INSULATED MODEL
28540	0L3587	540098			D			Y-FITTING; Ø 25; BREAK TANK	BREAK TANK - ELECTRONICAL SWITCHES,INSULATED MODEL
28541	000000	12533							BREAK TANK - ELECTRONICAL SWITCHES,INSULATED MODEL

07_003ae



VERSIONE STANDARD / VERSIONE POMPA AUM. PRESSIONE
STANDARD VERSION / BOOSTER PUMP VERSION
VERSION STANDARD / VERSION POMPE AUGMENT. PRESSION

Model		All							
Table		SPC400135400136		Page	22	Booster pump			
Pos.	Spare Part	Alias Code	Repl. by	S	Info	Kit	Techn. Bulletin	Description	Notes
7500	000000	15100/D							BOOSTER PUMP - ELECTRONICAL SWITCHES,INSULATED MODEL
7505	0PRG2 7	10221311						PIPE FITTING; DIA.12 3/8"	BOOSTER PUMP - ELECTRONICAL SWITCHES,INSULATED MODEL



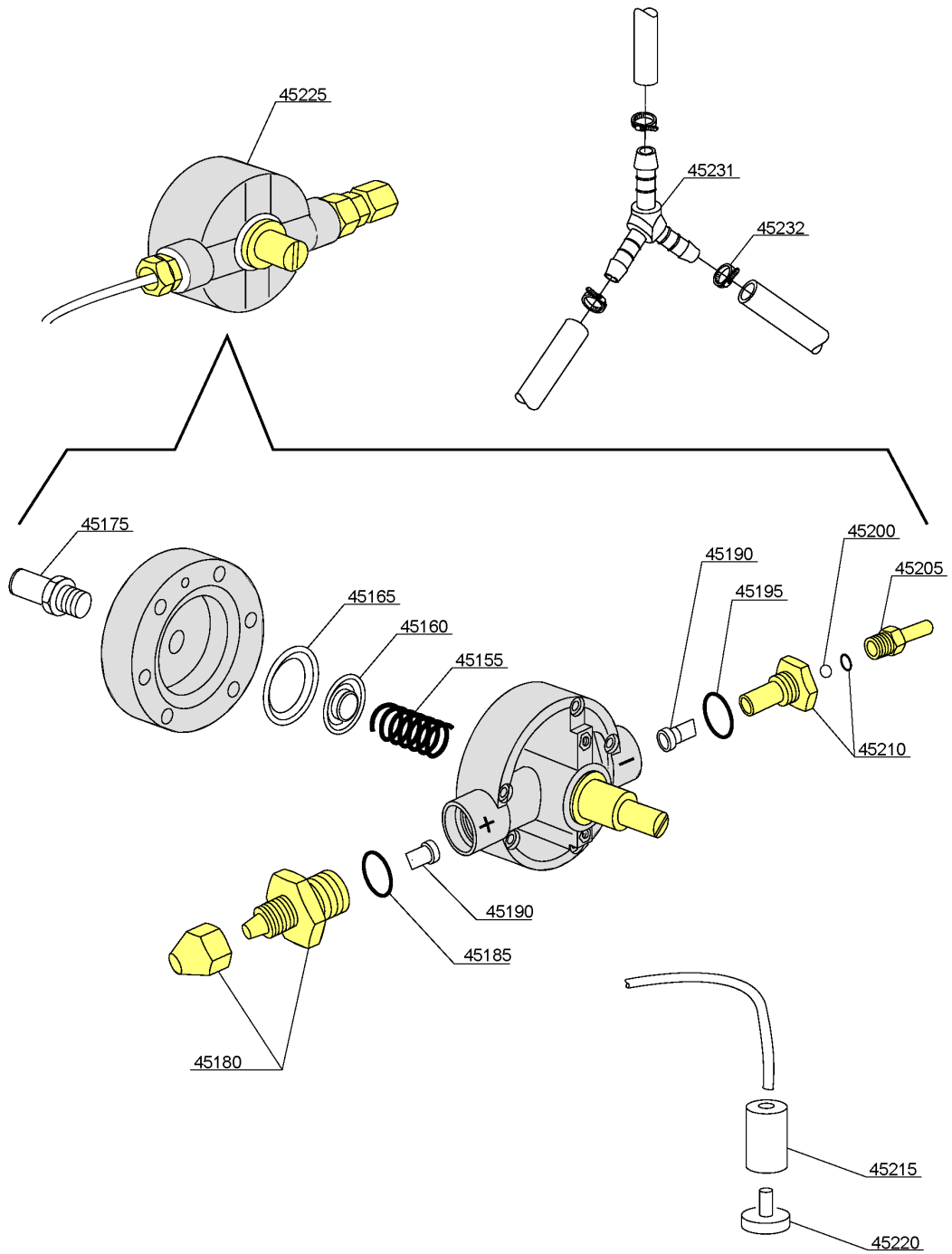
08_005xe

Model All
Table SPC400135400136 Page 24 DVGW valve

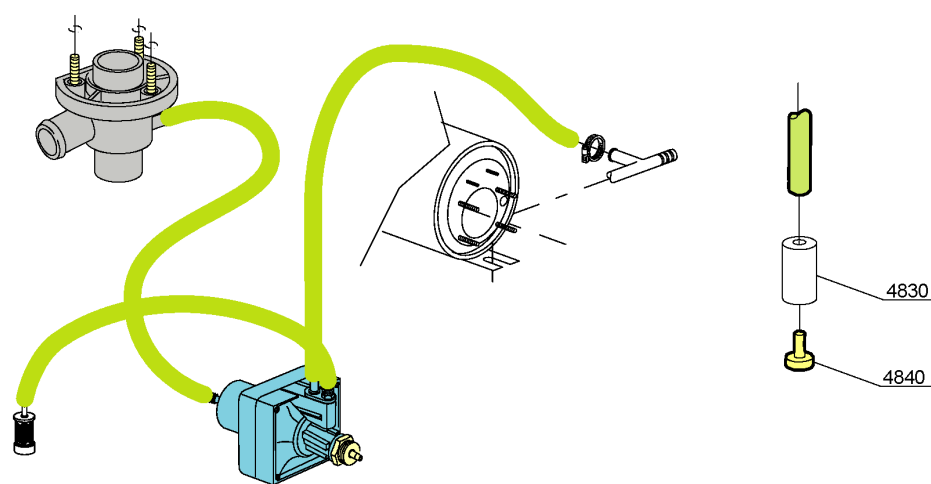
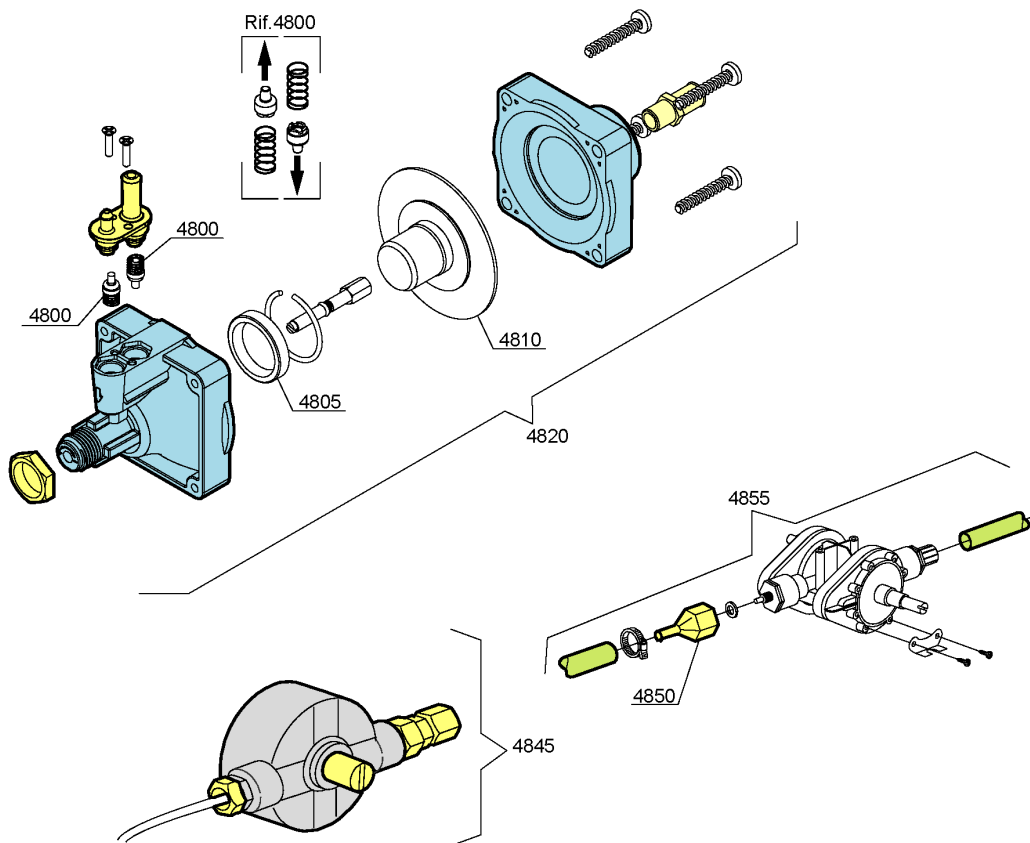
Pos.	Spare Part	Alias Code	Repl. by	S	Info	Kit	Techn. Bulletin	Description	Notes
12305	000000	11807							DVGW
12310	000000	15280							DVGW
12315	000000	15281							DVGW
12320	000000	15282							DVGW
12325	000000	15283							DVGW
12330	000000	15284							DVGW
12335	000000	15285							DVGW

Pos.	Spare Part	Alias Code	Repl. by	S	Info	Kit	Techn. Bulletin	Description	Notes
1400	0L3653	16066						WATER SOFTENER; 4 ELEMMENT	WATER SOFTNER - ELECTRONICAL SWITCHES
1410	0D2051	16072			D			UPPER OR LOWER ROLLER CYLINDER	WATER SOFTNER - ELECTRONICAL SWITCHES
1415	000000	16067/A							WATER SOFTNER - ELECTRONICAL SWITCHES
1420	000000	16067/B							WATER SOFTNER - ELECTRONICAL SWITCHES
1425	000000	16067/C							WATER SOFTNER - ELECTRONICAL SWITCHES
1430	000000	16067/D							WATER SOFTNER - ELECTRONICAL SWITCHES
1435	000000	16082							WATER SOFTNER - ELECTRONICAL SWITCHES
1440	000000	11807							WATER SOFTNER - ELECTRONICAL SWITCHES
1445	000000	16072/A							WATER SOFTNER - ELECTRONICAL SWITCHES
1450	0L3630	15213						SOLENOID VALVE; 2 VIE; 220 240V 50/60HZ	WATER SOFTNER - ELECTRONICAL SWITCHES

10_001be

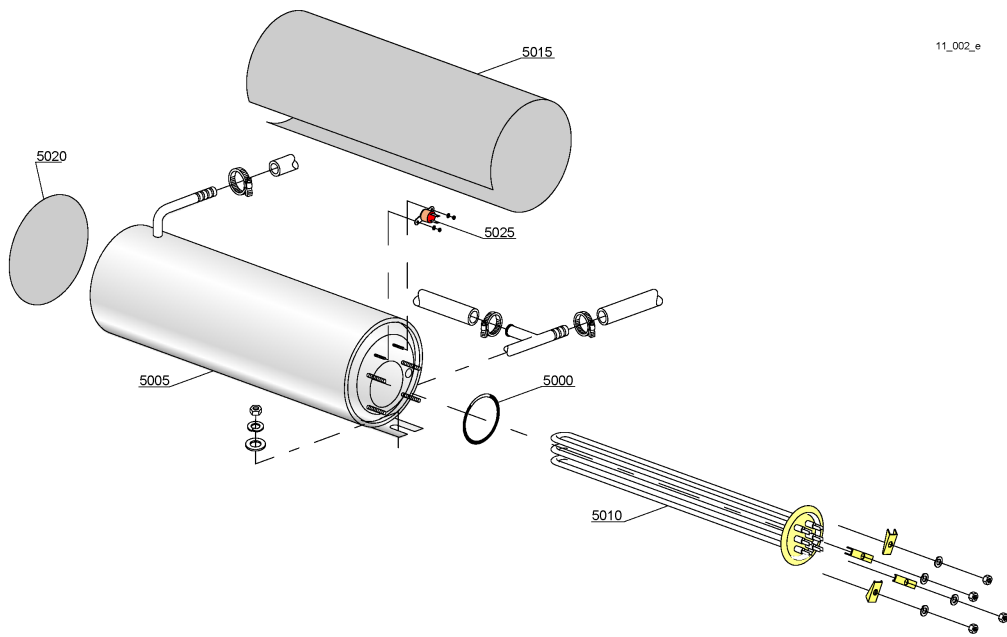


Model		All							
Table		SPC400135400136 Page 28 Rinse aid dispenser group							
Pos.	Spare Part	Alias Code	Repl. by	S	Info	Kit	Techn. Bulletin	Description	Notes
45155	000000	10705/M							ELECTRONICAL SWITCHES,INSULATED MODEL
45160	000000	10705/N							ELECTRONICAL SWITCHES,INSULATED MODEL
45165	000000	10705/O							ELECTRONICAL SWITCHES,INSULATED MODEL
45175	000000	12506							ELECTRONICAL SWITCHES,INSULATED MODEL
45180	000000	10705/G							ELECTRONICAL SWITCHES,INSULATED MODEL
45185	000000	10705/C							ELECTRONICAL SWITCHES,INSULATED MODEL
45190	000000	10705/D							ELECTRONICAL SWITCHES,INSULATED MODEL
45195	000000	10705/C							ELECTRONICAL SWITCHES,INSULATED MODEL
45200	000000	10705/T							ELECTRONICAL SWITCHES,INSULATED MODEL
45205	000000	10705/R							ELECTRONICAL SWITCHES,INSULATED MODEL
45210	000000	10705/E							ELECTRONICAL SWITCHES,INSULATED MODEL
45215	000000	12525							ELECTRONICAL SWITCHES,INSULATED MODEL
45220	000000	15058							ELECTRONICAL SWITCHES,INSULATED MODEL
45225	000000	10799/G							ELECTRONICAL SWITCHES,INSULATED MODEL
45231	000000	540091							ELECTRONICAL SWITCHES,INSULATED MODEL
45231	0L3589	540105			D			RUBBER HOLDER; Ø10-12-12MM	ELECTRONICAL SWITCHES,INSULATED MODEL
45232	000000	11807							ELECTRONICAL SWITCHES,INSULATED MODEL



10_004_e

Model		All							
Table		SPC400135400136 Page 30 Rinse aid dispenser group							
Pos.	Spare Part	Alias Code	Repl. by	S	Info	Kit	Techn. Bulletin	Description	Notes
4800	0KX249	10805	0KL041					ARM	ELECTRONICAL SWITCHES
4805	000000	10806							ELECTRONICAL SWITCHES
4810	000000	10807							ELECTRONICAL SWITCHES
4820	000000	10799							ELECTRONICAL SWITCHES
4830	000000	12525							ELECTRONICAL SWITCHES
4840	000000	15058							ELECTRONICAL SWITCHES
4845	000000	10799/G							WATER SOFTNER - ELECTRONICAL SWITCHES
4850	000000	10798/B							ELECTRONICAL SWITCHES
4855	000000	10798							ELECTRONICAL SWITCHES



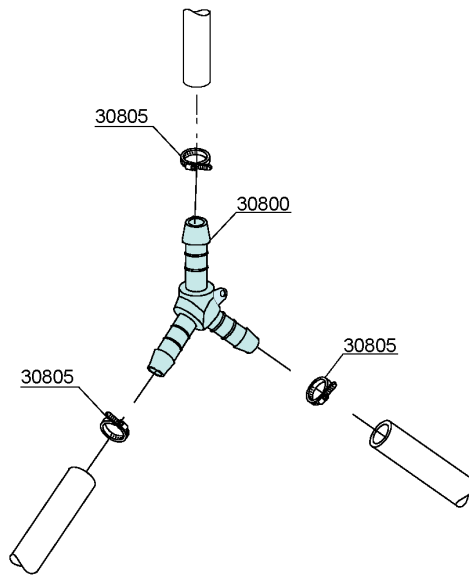
11_002_e

Spare parts

06/2011

Rev. 0.0

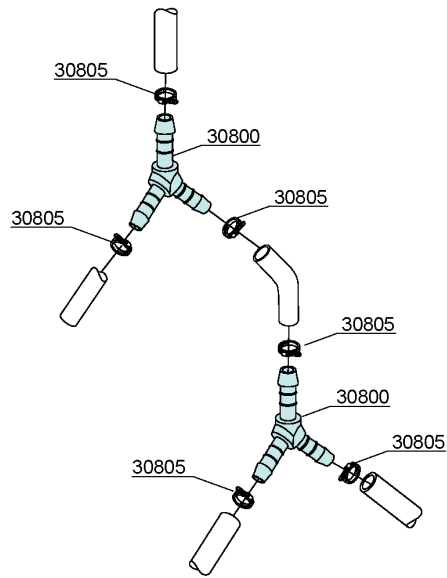
Model		All							
Table		SPC400135400136 Page 32 Boiler group							
Pos.	Spare Part	Alias Code	Repl. by	S	Info	Kit	Techn. Bulletin	Description	Notes
5000	0KV671	13005						SPRAYERS FEEDING PIPE	ELECTRONICAL SWITCHES,INSULATED MODEL
5005	0L3390	150905						BOILER; AISI 304	ELECTRONICAL SWITCHES,INSULATED MODEL
5005	0L3391	150917						BOILER; AISI 316	ELECTRONICAL SWITCHES,INSULATED MODEL
5010	000000	15089/B							ELECTRONICAL SWITCHES,INSULATED MODEL
5010	000000	15089/E							ELECTRONICAL SWITCHES,INSULATED MODEL
5010	0L3590	15089			A			HEATING ELEMENT; 230 240V 4,5/4,9 KW	ELECTRONICAL SWITCHES,INSULATED MODEL
5015	000000	15066							ELECTRONICAL SWITCHES,INSULATED MODEL
5020	000000	15205							ELECTRONICAL SWITCHES,INSULATED MODEL
5025	000000	15550							ELECTRONICAL SWITCHES,INSULATED MODEL



12_003pe

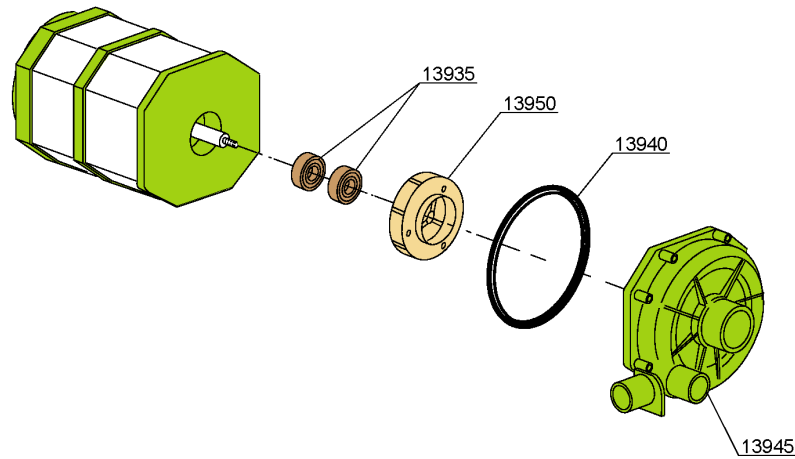
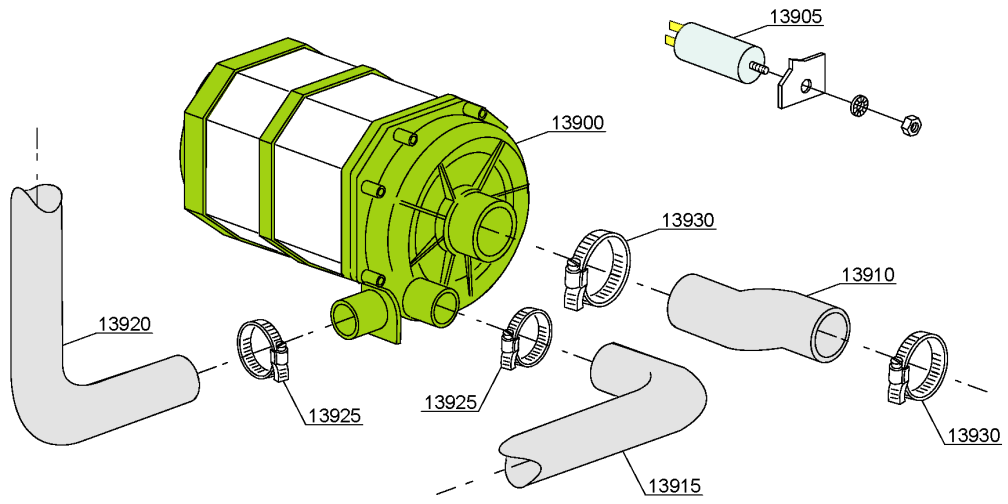
Model All
 Table SPC400135400136 Page 34 3 ways connection

Pos.	Spare Part	Alias Code	Repl. by	S	Info	Kit	Techn. Bulletin	Description	Notes
30800	000000	540091							ELECTRONICAL SWITCHES,INSULATED MODEL
30805	000000	11807							ELECTRONICAL SWITCHES,INSULATED MODEL



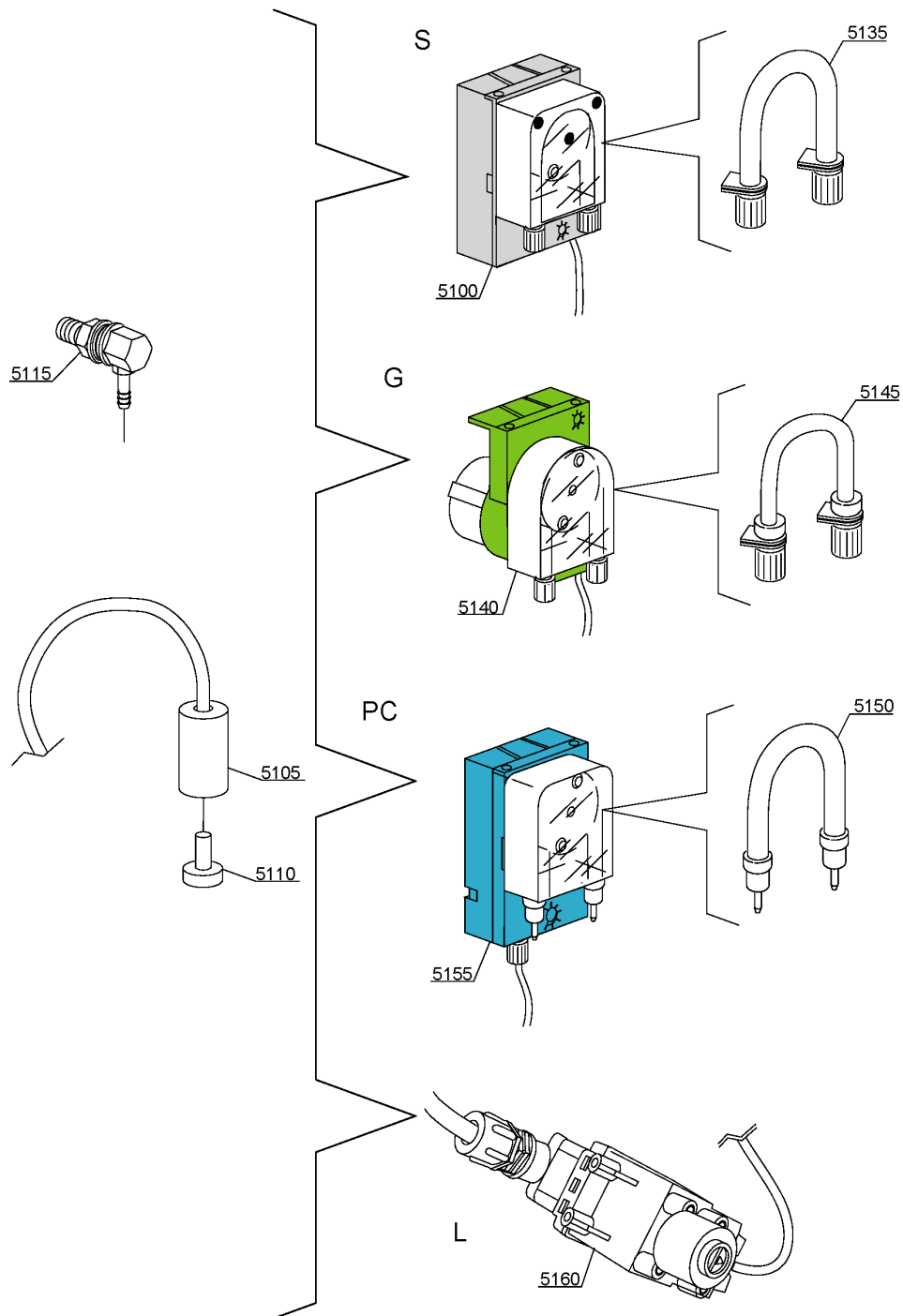
12_010_e

Model		All							
Table		SPC400135400136 Page 36 3 ways connection							
Pos.	Spare Part	Alias Code	Repl. by	S	Info	Kit	Techn. Bulletin	Description	Notes
30800	000000	540091							COLD RINSE - ELECTRONICAL SWITCHES,INSULATED MODEL
30805	000000	11807							COLD RINSE - ELECTRONICAL SWITCHES,INSULATED MODEL



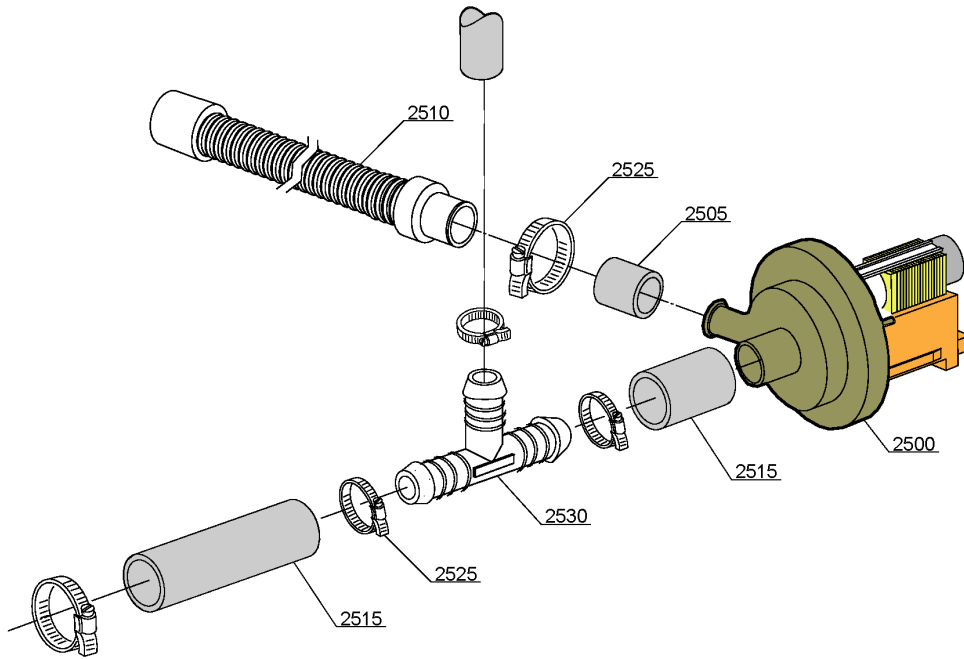
13_110_e

Model		All							
Table		SPC400135400136 Page 38 Wash pump							
Pos.	Spare Part	Alias Code	Repl. by	S	Info	Kit	Techn. Bulletin	Description	Notes
13900	000000	150915							LOWER AND UPPER WASHING
13900	0L3045	150914			D			WASH PUMP; 230V 50HZ 0,70HP	LOWER AND UPPER WASHING
13905	000000	15081							LOWER AND UPPER WASHING
13910	000000	25032/A							LOWER AND UPPER WASHING
13915	000000	560014							LOWER AND UPPER WASHING
13920	000000	150048/A							LOWER AND UPPER WASHING
13925	000000	11806							LOWER AND UPPER WASHING
13930	000000	11809							LOWER AND UPPER WASHING
13935	000000	15080							LOWER AND UPPER WASHING
13940	000000	7130							LOWER AND UPPER WASHING
13945	000000	16182							LOWER AND UPPER WASHING
13950	000000	15079/F							LOWER AND UPPER WASHING



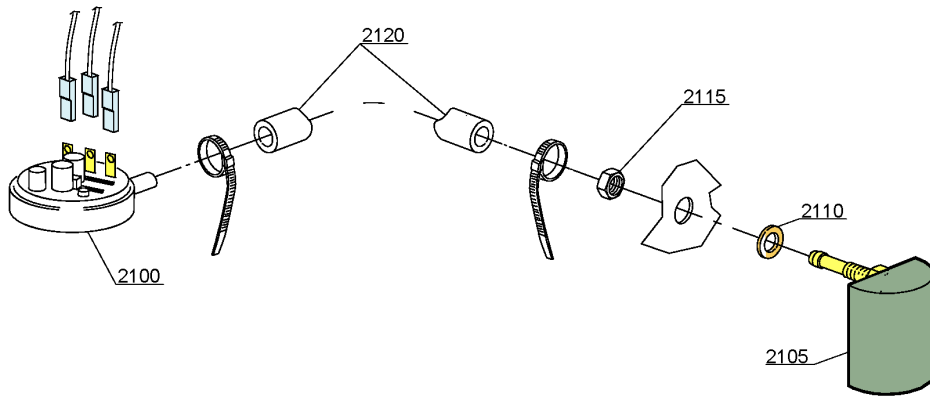
14_004_e

Pos.	Spare Part	Alias Code	Repl. by	S	Info	Kit	Techn. Bulletin	Description	Notes
5100	0L3346	15985						PUMP DETERGENT DISPENSER	DETERGENT DISPENSER - INSULATED MODEL,ELECTRONICAL SWITCHES
5105	000000	12525							DETERGENT DISPENSER - INSULATED MODEL,ELECTRONICAL SWITCHES
5110	000000	15058							DETERGENT DISPENSER - INSULATED MODEL,ELECTRONICAL SWITCHES
5115	000000	15123							DETERGENT DISPENSER - INSULATED MODEL,ELECTRONICAL SWITCHES
5135	000000	15185							DETERGENT DISPENSER - INSULATED MODEL,ELECTRONICAL SWITCHES
5140	0L3346	15985						PUMP DETERGENT DISPENSER	DETERGENT DISPENSER - INSULATED MODEL,ELECTRONICAL SWITCHES
5145	000000	15108/E							DETERGENT DISPENSER - INSULATED MODEL,ELECTRONICAL SWITCHES
5150	000000	15985/A							DETERGENT DISPENSER - INSULATED MODEL,ELECTRONICAL SWITCHES
5155	0L3346	15985						PUMP DETERGENT DISPENSER	DETERGENT DISPENSER - INSULATED MODEL,ELECTRONICAL SWITCHES
5160	000000	15108/L							DETERGENT DISPENSER - INSULATED MODEL,ELECTRONICAL SWITCHES



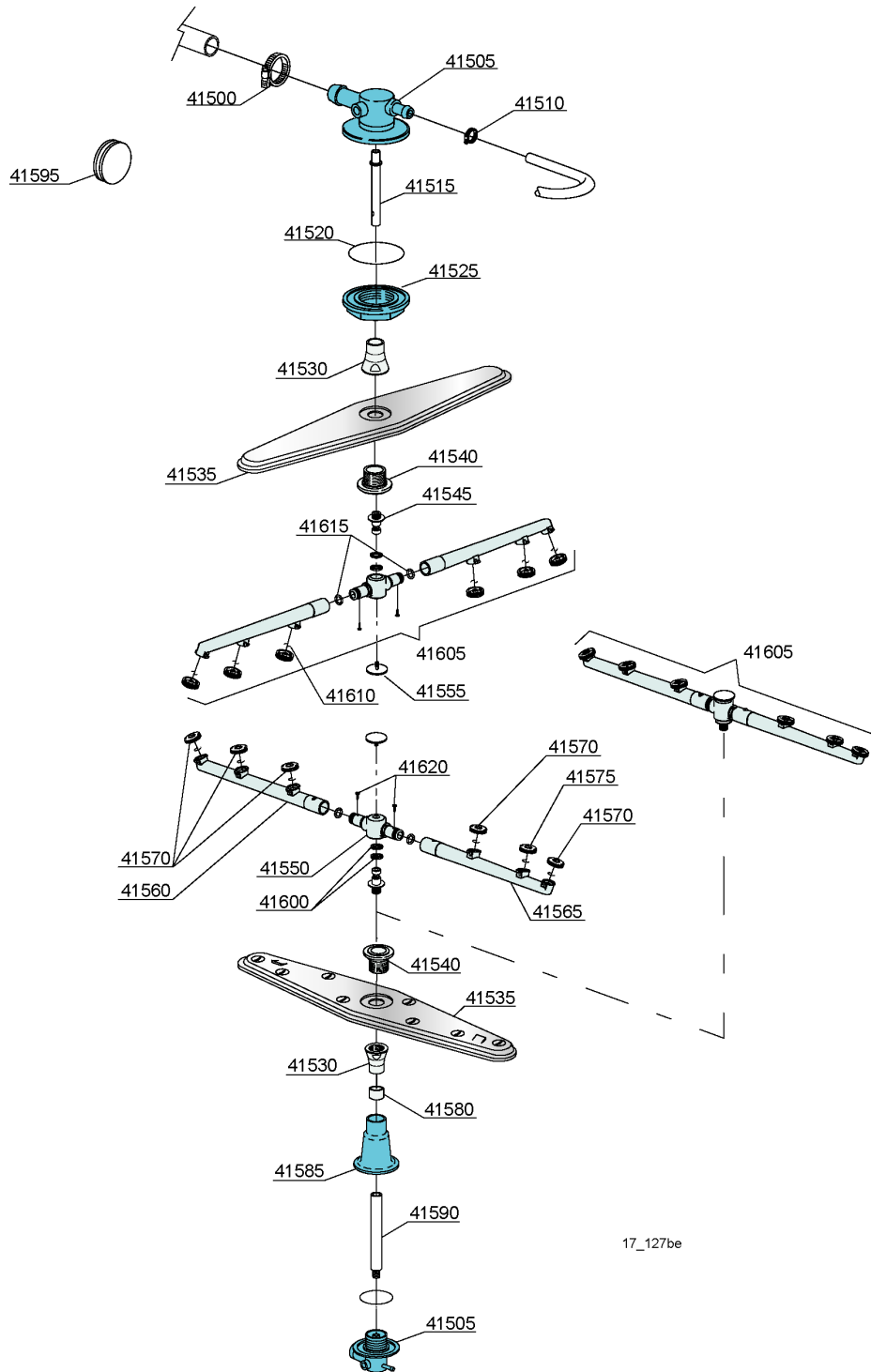
15_004be

Model		All							
Table		SPC400135400136 Page 42 Drain pump group							
Pos.	Spare Part	Alias Code	Repl. by	S	Info	Kit	Techn. Bulletin	Description	Notes
2500	000000	15101							DRAIN PUMP,INSULATED MODEL,ELECTRONICAL SWITCHES
2505	000000	15101/D							DRAIN PUMP,INSULATED MODEL,ELECTRONICAL SWITCHES
2510	000000	10727							DRAIN PUMP,INSULATED MODEL,ELECTRONICAL SWITCHES
2510	0L3438	25031						DRAIN HOSE	DRAIN PUMP,INSULATED MODEL,ELECTRONICAL SWITCHES
2515	000000	18044							DRAIN PUMP,INSULATED MODEL,ELECTRONICAL SWITCHES
2525	000000	11806							DRAIN PUMP,INSULATED MODEL,ELECTRONICAL SWITCHES
2530	0L3587	540098			D			Y-FITTING; Ø 25; BREAK TANK	DRAIN PUMP,BREAK TANK,INSULATED MODEL,ELECTRONICAL SWITCHES



16_001_e

Model		All							
Table		SPC400135400136 Page 44 Pressure switch group with air trap							
Pos.	Spare Part	Alias Code	Repl. by	S	Info	Kit	Techn. Bulletin	Description	Notes
2100	000000	10706/A							INSULATED MODEL,ELECTRONICAL SWITCHES
2105	000000	135911/D							INSULATED MODEL
2110	000000	13301							INSULATED MODEL,ELECTRONICAL SWITCHES
2115	000000	11702							INSULATED MODEL,ELECTRONICAL SWITCHES
2120	0L3327	14508			D			HOSE; 4,5X9MM; 1PCS=2METER	INSULATED MODEL,ELECTRONICAL SWITCHES



Model	All								
Table	SPC400135400136 Page 46 Turret group with rotating arms (plastic - rinse)								
Pos.	Spare Part	Alias Code	Repl. by	S	Info	Kit	Techn. Bulletin	Description	Notes
41500	000000	11806							LOWER AND UPPER WASHING,ELECTRONICAL SWITCHES
41505	0L3340	500612			D			TOP/LOWER TURRET	LOWER AND UPPER WASHING,ELECTRONICAL SWITCHES
41510	000000	11807							LOWER AND UPPER WASHING,ELECTRONICAL SWITCHES
41515	000000	500703							LOWER AND UPPER WASHING,ELECTRONICAL SWITCHES
41520	0KK239	13015						PUMP SUCTION PIPE	LOWER AND UPPER WASHING,ELECTRONICAL SWITCHES
41525	000000	500623							LOWER AND UPPER WASHING,ELECTRONICAL SWITCHES
41530	0L3342	500702			D			NUT FOR WASH ARM BEARING	LOWER AND UPPER WASHING,ELECTRONICAL SWITCHES
41535	000000	500700							LOWER AND UPPER WASHING,ELECTRONICAL SWITCHES
41540	000000	500701							LOWER AND UPPER WASHING,ELECTRONICAL SWITCHES
41545	000000	10651							LOWER AND UPPER WASHING,ELECTRONICAL SWITCHES
41550	000000	75920/A							LOWER AND UPPER WASHING,ELECTRONICAL SWITCHES
41555	000000	10652							LOWER AND UPPER WASHING,ELECTRONICAL SWITCHES
41560	000000	75920/D							LOWER AND UPPER WASHING,ELECTRONICAL SWITCHES
41565	000000	75920/S							LOWER AND UPPER WASHING,ELECTRONICAL SWITCHES
41570	000000	10371							LOWER AND UPPER WASHING,ELECTRONICAL SWITCHES
41575	0L3403	10372						CLOSED RINSING NOZZLE	LOWER AND UPPER WASHING,ELECTRONICAL SWITCHES
41580	0L3343	75321						HUB ROTOR/PIPE COUPLING SPACER	LOWER AND UPPER WASHING,ELECTRONICAL SWITCHES
41585	0L3344	560024						LOWER PIPE COUPLING	LOWER AND UPPER WASHING,ELECTRONICAL SWITCHES
41590	0L3345	570201			D			RINSE LOWER DISTRIBUTOR CONNECTION AXLE	LOWER AND UPPER WASHING,ELECTRONICAL SWITCHES
41595	000000	13316/A							LOWER AND UPPER WASHING,ELECTRONICAL SWITCHES
41600	000000	75920/B							LOWER AND UPPER WASHING,ELECTRONICAL SWITCHES
41605	0L3070	75920						RINSE ARM; LOWER/UPPER	LOWER AND UPPER WASHING,ELECTRONICAL SWITCHES
41610	000000	13002							LOWER AND UPPER WASHING,ELECTRONICAL SWITCHES

Model		All							
Table		SPC400135400136 Page 46 Turret group with rotating arms (plastic - rinse)							
Pos.	Spare Part	Alias Code	Repl. by	S	Info	Kit	Techn. Bulletin	Description	Notes
41615	000000	13002							LOWER AND UPPER WASHING,ELECTRONICAL SWITCHES
41620	000000	11004							LOWER AND UPPER WASHING,ELECTRONICAL SWITCHES